

REV	BY	DATE
A	DW/P	7/27/09
B	PERRY	11/12/12
C	M/P	02/26/21



PSS PERFORMANCE SPORTS SYSTEMS



GARED

Gared Holdings, LLC
 9200 E. 146th St.
 Noblesville, IN 46060

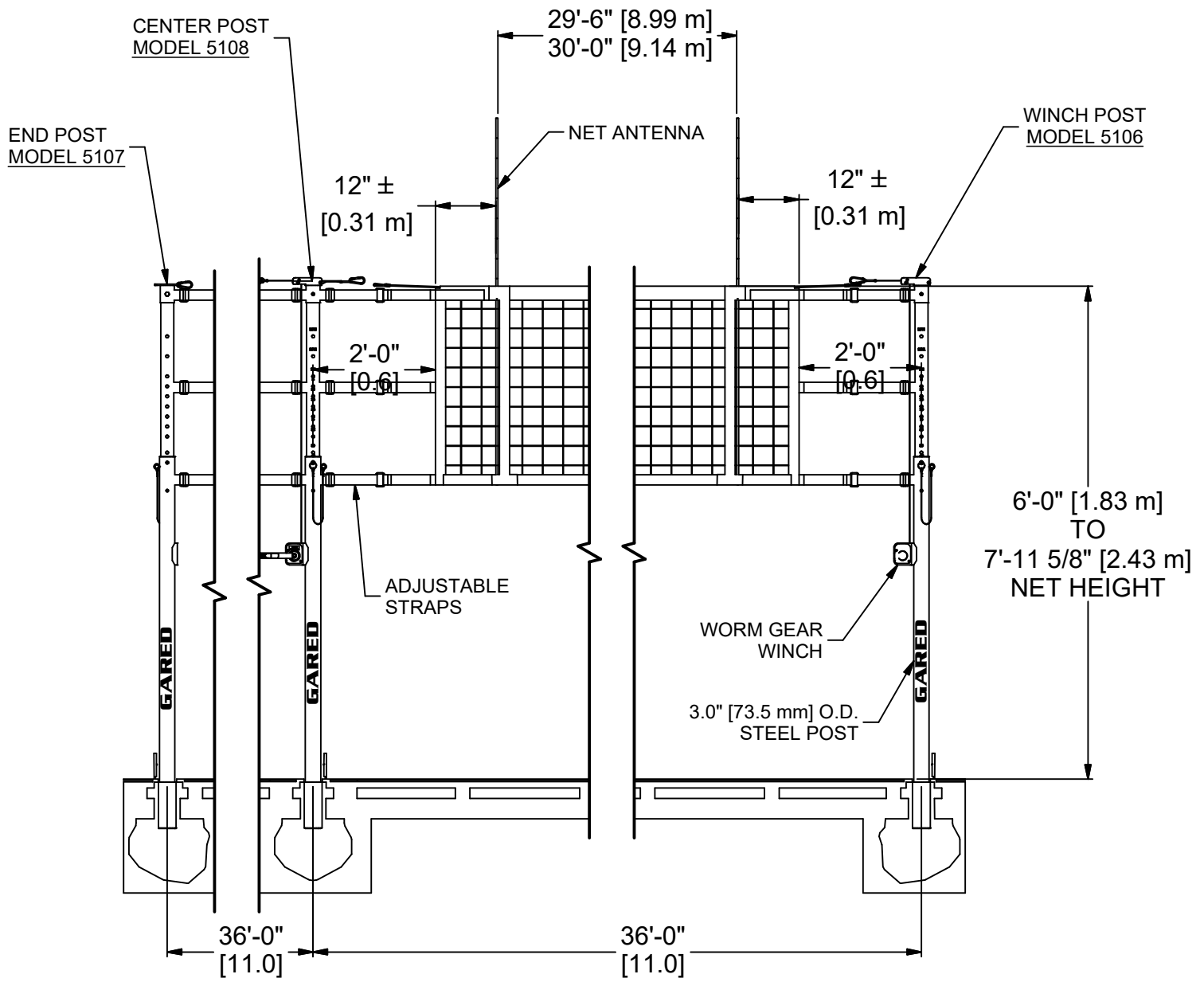
3" STEEL VB SYS TWO COURT SYSTEM

THIS DOCUMENT CONTAINS TRADE SECRET AND OTHER MATERIALS WHICH ARE PROTECTED BY CONFIDENTIALITY NOTICE AND AGREEMENT AND BY COPYRIGHT. ANY USE OR COPYING OF THIS DOCUMENT EXCEPT AS AUTHORIZED BY GARED HOLDINGS, LLC IS STRICTLY PROHIBITED.

DRAWN	PERRY	DATE	11/9/2012	DATE ISSUED
APPROVED		DATE		

FILE LOC: Q:\Inventor Files\

SIZE	SCALE	SHT. NO.	PART NO.	REV
A	1 OF 1	5102		C





MODEL 5102

TWO COURT STEEL TELESCOPING VOLLEYBALL SYSTEM

RECOMMENDED APPLICATION

Top quality unit for use in facilities requiring product for multi-use functions. Meets all grade school, middle school, YMCA, club, USVBA, NFHS, and NCAA requirements for competitive play.

FLOOR SLEEVES AND COVER PLATES

Please refer to attached specification

UPRIGHTS

Upright Post shall be high strength 3" O.D. steel. Finish shall be black powder coat. Uprights shall be removable type designed for use with below floor sleeves or above floor T-bases. Uprights shall be provided with adjustable high impact rubber foot to protect finished floors and to allow for additional precise net height adjustment. The upright post will have net height adjustment for Men's, Women's heights.

NET TENSIONER (WINCH)

The net cable tensioner shall incorporate a heavy duty, self-locking worm gear mechanism. A high tensile nylon strap will be used with the winch to achieve required net tension.

NET

Net features include 1" diameter wood dowel and 4" square black nylon mesh (250-lbs tensile strength) for excellent performance and durability. Free floating net along 1/8" diameter steel 7 x 19 cable (1,760-lbs. Minimum breaking strength) allows for quick and easy centering of net about the court lines. Nylon straps with velcro are used to secure net in place. Net shall be 32' length and 39" width. Net perimeter shall have a 2" wide vinyl coated polyester hem that is double stitched. Net meets or exceeds all requirements for most levels of competition.

UPRIGHT PADS

Upright safety pads shall be one single piece 72" in height. Padding shall be constructed with 1 1/2" thick cross-linked polyethylene closed cell foam covered with 14-ounce nylon reinforced vinyl. Attachment to uprights shall be with Velcro® straps. Standard Colors are: white, yellow, orange, red, kelly green, forest green, royal blue, marine blue, navy blue, gray, black, maroon, beige, and purple.

NET ANTENNA AND TAPE

Net antenna shall be 3/8" diameter fiberglass rods 72" long with alternating red and white bands. Net tape shall be white nylon reinforced vinyl 2 1/2" wide with full-length pocket to accept the antenna. Attachment to net shall be full-length quick action Velcro® closures.

AVAILABLE OPTIONS

Referee Stand with optional padding
Storage Cart