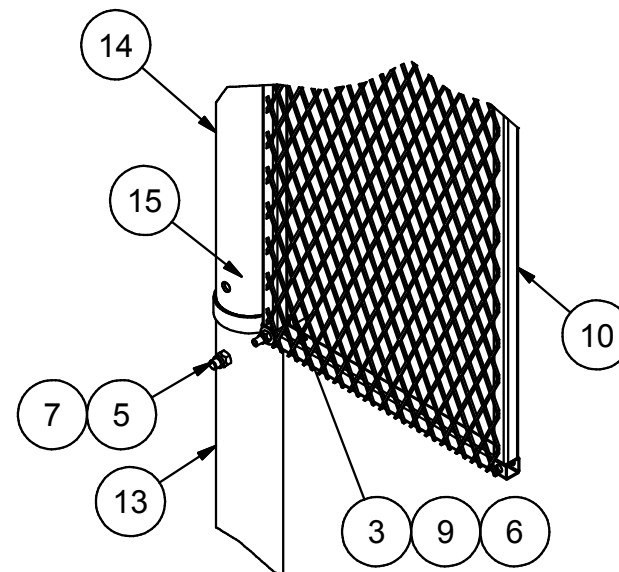
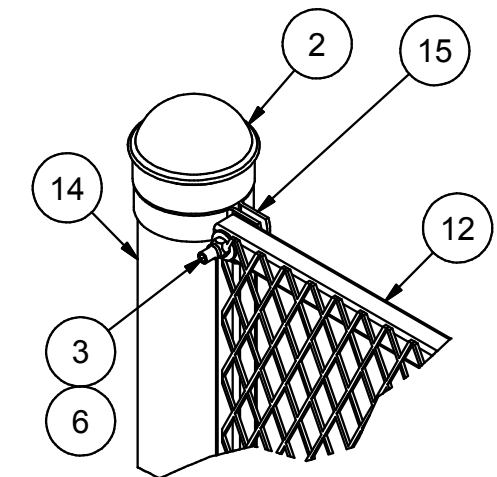


DETAIL C
SCALE 1/10



DETAIL A
SCALE 1/10



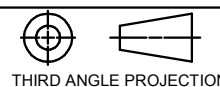
DETAIL B
SCALE 1/6

FINISHED WEIGHT 303.923 lbmass

PARTS LIST			
ITEM	QTY	PART NUMBER	DESCRIPTION
1	2	101151787	1/2"-13 X 12" THREADED ROD
2	2	401655773	3.5" I.D. GALVANIZED ROUND ENDCAP
3	8	501-6-16-40	BOLT, CARRIAGE 3/8-16 UNC X 2.5
4	4	502-6-16-40	HEX BOLT, 3/8-16 UNC X 2.5
5	2	502-8-13-72	HEX BOLT, 1/2-13 UNC X 4.5
6	12	545-6-16Z	HEX NUT, NYLON LOCK 3/8-16
7	2	545-8-13	HEX NUT, NYLON LOCK 1/2-13
8	4	548-8-13	HEX NUT, SERRATED FLANGE 1/2-13
9	8	561-6	FLAT WASHER 3/8
10	2	955801003	WING WELDMENT, 4' X 18", FOUL POLE
11	4	955801018	WING CONNECTION PLATE
12	2	955801022	WING WELDMENT, 3' X 18", FOUL POLE
13	2	955801023	BASE POLE, 20'
14	2	955801028	POLE WELDMENT, 15' WING
15	8	AAB35-3	CLASP, POST, 3.5 I.D. X 1" WIDE

NOTE: QTYS SHOWN ARE FOR ONE PAIR OF FOUL POLES

UNLESS OTHERWISE SPECIFIED
DIMENSIONS ARE IN INCHES
[XX.XX] DIMENSIONS ARE IN MM
TOLERANCES ARE:
.X ± 0.060 [1.50 mm]
.XX ± 0.030 [0.75 mm]
.XXX ± 0.010 [0.25 mm]
ANGLES
X. = 1°
X.X = 1/2°



Gared Holdings, LLC
9200 E. 146th St. Noblesville, IN 46060

THIS DOCUMENT CONTAINS TRADE SECRET AND OTHER MATERIALS WHICH ARE PROTECTED BY CONFIDENTIALITY NOTICE AND AGREEMENT AND BY COPYRIGHT. ANY USE OR COPYING OF THIS DOCUMENT EXCEPT AS AUTHORIZED BY GARED HOLDINGS, LLC IS STRICTLY PROHIBITED.

FOUL POLE 15' WITH 7" WING

DRAWN	CROSBY	DATE	2/2/2016	MATERIAL	SEE PARTS LIST
APPROVED		DATE		FINISH	
FILE LOC.	Q:\Inventor Files\950,000,000			DWG. NO.	
SIZE	SCALE	SHT. NO.	PART NO.	REV	
B		1 OF 1	BSPOLE-15P		

REV	BY	DATE	ECN	REVISION DESCRIPTION